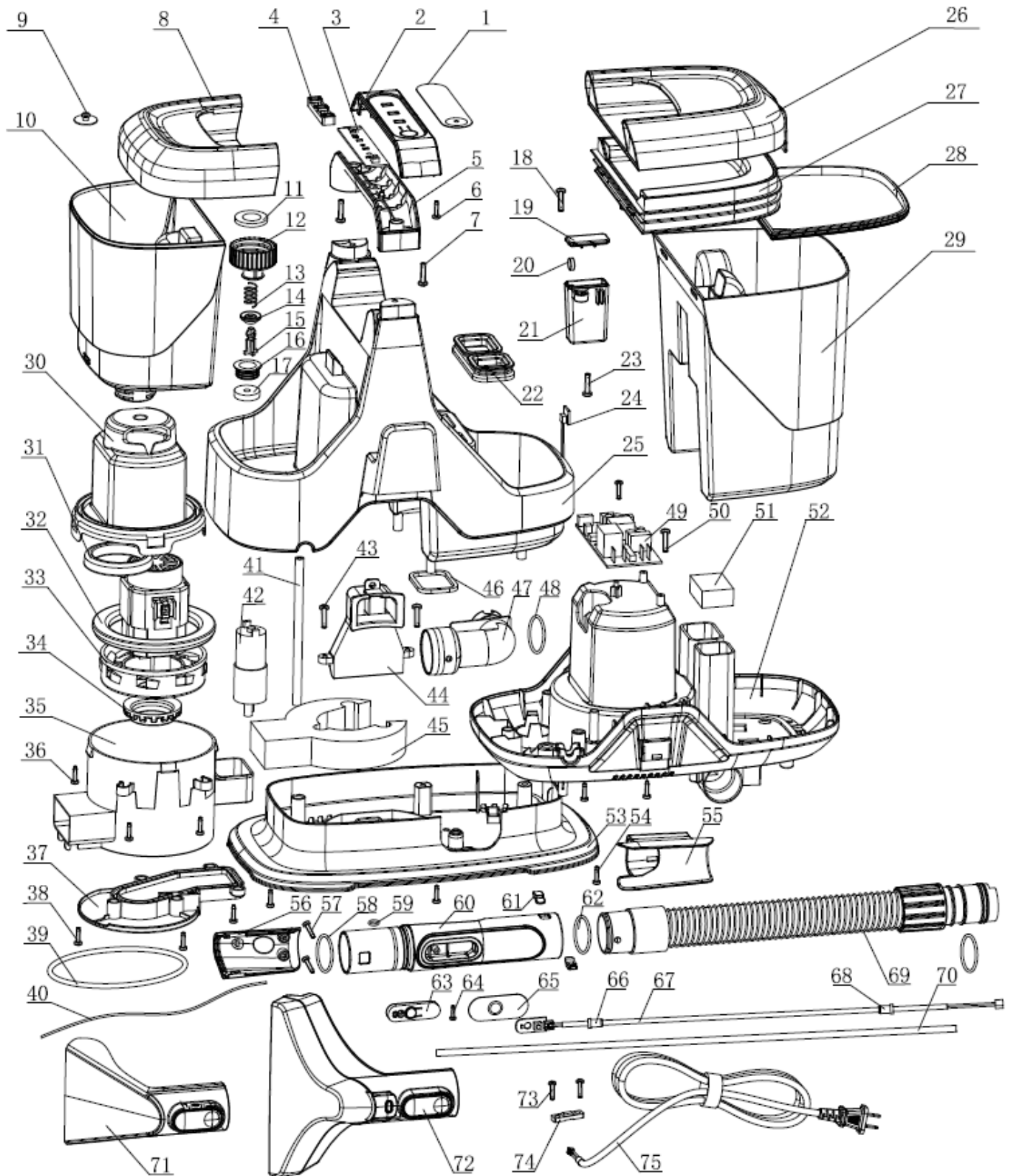


MODEL: SC9963



SC9963 Part List

No.	Part Name	English Name	Qty
1	薄膜按键B	Film button B	1
2	提手盖板	Handle cover plate	1
3	开关线路板	Switching circuit board	1
4	灯罩	Lampshade	1
5	提手下盖	Lower cover of handle	1
6	自攻螺钉	Self tapping screws	1
7	宽螺距螺钉	Spaced thread	2
8	清水桶上盖	Clean water bucket top cover	1
9	壶盖密封片	Pot cover sealing plate	1
10	清水桶	Clean water bucket	1
11	垫圈	Washer	1
12	出水旋盖	Water outlet screw cover	1
13	单向阀弹簧	One-way valve spring	1
14	单向阀止水塞	One-way valve water stop plug	1
15	单向阀阀芯	One-way valve core	1
16	出水旋盖密封圈	Sealing ring for water outlet screw cover	1
17	过滤海绵	Filter sponge	1
18	宽螺距螺钉	Spaced thread	1
19	浮柱盖板	Floating column cover plate	1
20	磁片	Magnetic sheet	1
21	浮柱	Floating column	1
22	污水桶密封圈	Sealing ring of sewage bucket	1
23	带垫片螺钉	Screw with gasket	1
24	霍尔感应板	Hall induction board	1
25	中框	Middle frame	1
26	污水桶上盖	Cover of sewage bucket	1

27	污水桶上盖B	Cover of sewage bucket B	1
28	上盖密封圈	Upper cover sealing ring	1
29	污水桶	Sewage bucket	1
30	电机上盖	Upper cover of motor	1
31	电机隔热密封圈	Motor insulation sealing ring	1
32	电机隔离密封圈	Motor isolation sealing ring	1
33	电机	Motor	1
34	电机进风密封圈	Motor air inlet sealing ring	1
35	电机下盖	Lower cover of motor	1
36	宽螺距螺钉	Spaced thread	4
37	风道盖板	Air duct cover plate	1
38	宽螺距螺钉	Spaced thread	5
39	圆形密封条	Circular sealing strip	1
40	密封条	Sealing strip	1
41	进水管	Water inlet pipe	1
42	微型隔膜泵	Micro diaphragm pump	1
43	宽螺距螺钉	Spaced thread	2
44	出风管	Air outlet pipe	1
45	出风海绵	Air outlet sponge	1
46	进风密封圈	Air inlet sealing ring	1
47	风道管	Air duct	1
48	O型圈	o-ring	1
49	主线路板	Main circuit board	1
50	自攻螺钉	Self tapping screws	2
51	过滤海绵	Filter sponge	1
52	下盖	Lower cover	1
53	底座	Base	1
54	宽螺距螺钉	Spaced thread	9

55	挂钩	Hook	1
56	手柄盖	Handle cover	1
57	自攻螺钉	Self tapping screws	2
58	O型圈	O-ring	1
59	O型圈	O-ring	1
60	软管手柄	Hose handle	1
61	锁扣	Lock catch	2
62	O型圈	O-ring	2
63	开关按键	Switch button	1
64	自攻螺钉	Self tapping screws	1
65	贴片	Label	1
66	手柄堵头	Handle plug	1
67	手柄连接线组件	Handle Connection Wire Assembly	1
68	风道管堵头	Air duct pipe plug	1
69	软管组件	Flexible hose assembly	1
70	出水管	Outlet water pipe	1
71	直角水扒组件	Vertical nozzle	1
72	水扒组件	Wide tough stain brush	1
73	宽螺距螺钉	Spaced thread	2
74	压线条	Pressing lines	1
75	电源线组件	Power cord assembly	1